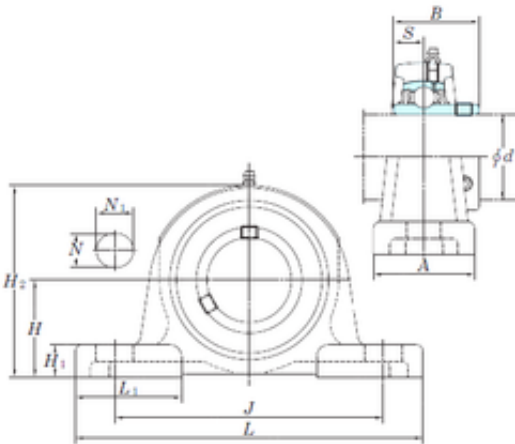




China abec 7 Bearings Supplier

SKF Snr NTN NSK Koyo Timken Pillow Block
 Bearing UCP211 UCP212 UCP213 UCP214
 UCP215 UCP216 UCP217 UCP218 UCP220



Bearing No. UCP211

Bore Diameter	55 mm
Width	55,6 mm
d	55 mm
A	60 mm
B	55,6 mm
H	63,5 mm
H1	19 mm
H2	125 mm
J	171 mm
L	219 mm
L1	70 mm
N	20 mm
N1	22 mm
S	22,2 mm
Bolt (G)	M16
Weight	3,6 Kg
Basic dynamic load rating (C)	43,4 kN
Basic static load rating (C0)	29,4 kN
Bearing No.	UCP211
Bolt size	M16
Cr	43.4
C0r	29.4
f0	14.4
(Refer.)Unit mass(kg)	3.6

UCP211 Bearing 2D drawings and 3D CAD models



China abec 7 Bearings Supplier

Nipple size	R1/8
-------------	------